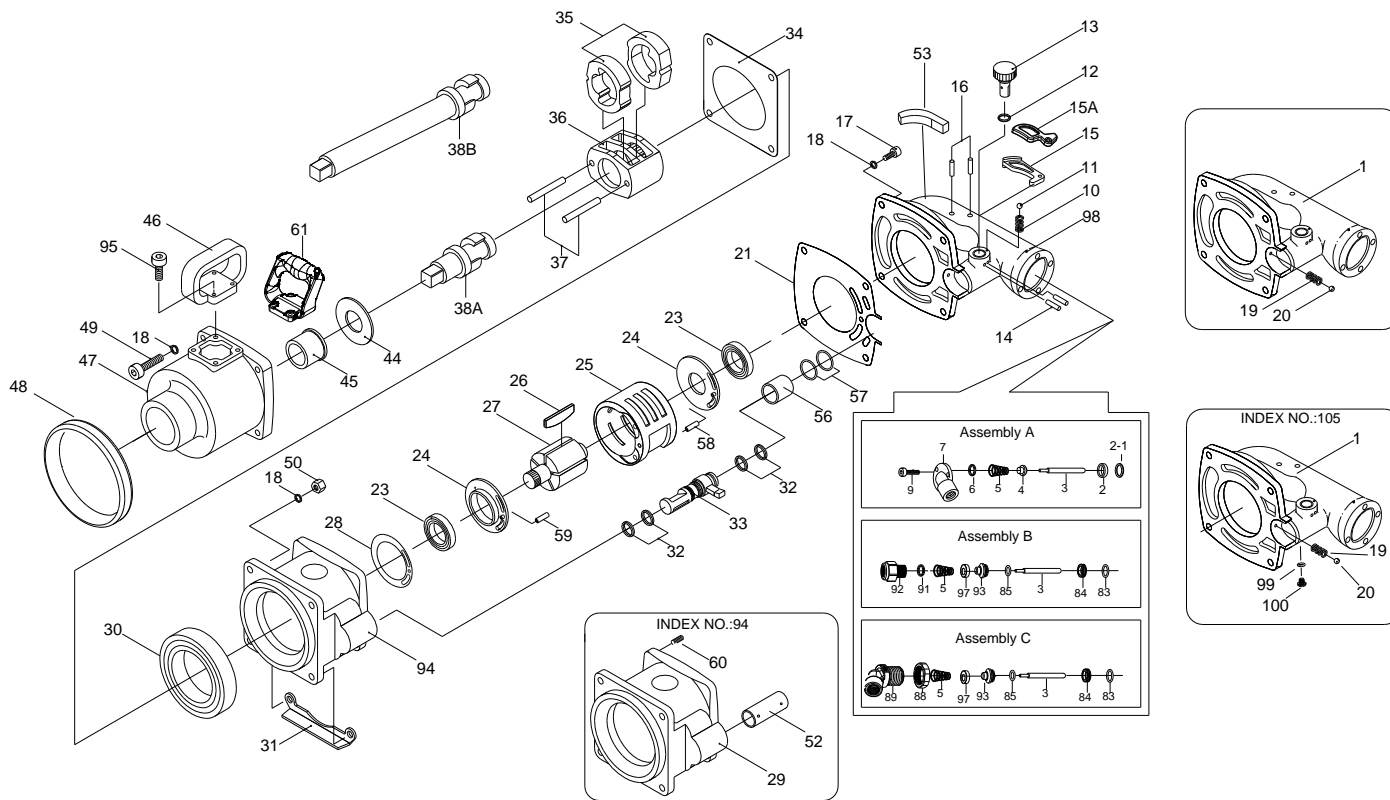


1 1/2" SQ. DR. SUPER DUTY IMPACT WRENCH



55/55-8

INDEX NO.	DESCRIPTION	REQ'D NO.	INDEX NO.	DESCRIPTION	REQ'D NO.
● 1	Backhead	1	36	Hammer Frame	1
● 2	Throttle Valve Seat	1	37	Hammer Pin	2
● 2-1	Throttle Valve Washer	1	38A	Standard Anvil (for KI-55)	1
● 3	Valve Stem	1	38B	8" Extended Anvil (for KI-55-8)	1
● 4	Throttle Valve	1	44	Washer	1
● 5	Spring	1	45	Bushing	1
● 6	O-Ring	1	46	Side Spade Handle (Option)	1
★ 7	Air Inlet Assembly (incl.2.2-1.3.4.5.6.9) (Option)	1	47	Hammer Case	1
● 9	Screw	4	48	Shield Housing Nose (Option)	1
10	Spring	1	★ 49	Screw Assembly { incl.18 (4) }	4
11	Steel Ball	1	50	Lock Nut	4
12	O-Ring	1	● 52	Reverse Valve Bushing	1
13	Air Regulator	1	53	Rubber Cap (for Inside Trigger)	1
14	Spring Pin	2	56	Bushing	1
15	Outside Trigger (Option)	1	57	O-Ring	2
15A	Inside Trigger (Option)	1	58	Spring Pin	1
16	Spring Pin	2	59	Spring Pin	1
★ 17	Screw Assembly { incl.18 (4) }	4	● 60	Heli-Coil	4
● 18	Spring Washer	10	61	Side Spade Handle (Option)	1
● 19	Spring	1	● 83	O-Ring	1
● 20	Steel Ball	1	● 84	Throttle Valve Seat	1
21	Gasket	1	● 85	O-Ring	1
● 23	Ball Bearing	2	● 88	Angle Air Inlet Nut	1
★ 24	Rear End Plate And Front End Plate Assembly (incl.23)	2	★ 89	Angle Air Inlet Assembly (incl.3.5.83.84.85.88.93.97) (Option)	1
25	Cylinder	1	● 91	O-Ring	1
26	Rotor Blade	7	★ 92	Air Inlet Assembly (incl.3.5.83.84.91.93.97) (Option)	1
27	Rotor	1	● 93	Throttle Valve	1
28	Gasket	1	★ 94	Housing Assembly { incl.29.52.60 (8) }	1
● 29	Motor Housing	1	95	Screw	4
30	Ball Bearing	1	● 97	Valve Ring	1
31	Motor Housing Protector	1	★ 98	Backhead Assembly (incl.1.19.20) (Option)	1
32	O-Ring	4	● 99	O-Ring	1
33	Reverse Valve	1	● 100	Screw	4
34	Gasket	1	★ 105	Backhead Assembly (incl.1.19.20.99.100) (Option)	1
35	Hammer	2	TK	Tune-Up Kit { incl.5.6.10.11.12.19.20.21.23 (2),26 (7),28.30.32 (4),34.57 (2) }	

★ Must be Purchased in Assembly Set

● Recommended not to be purchased alone due to assembly difficulty